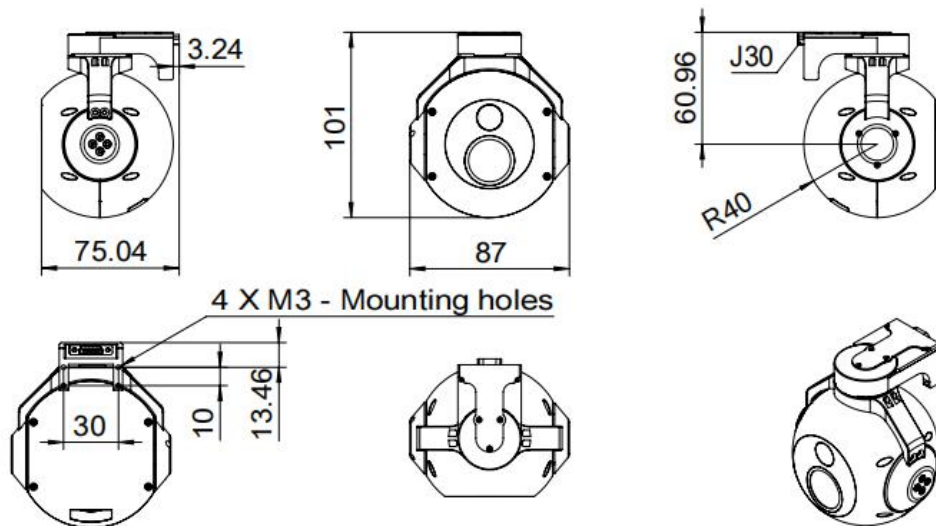


## Product highlights:

1. 16mm prime lens EO+50mm prime lens EO
2. Extremely compact structure, weight less than 330g
3. Tracking function
4. Launch shock resistant, suitable for catapulting UAVs
5. With servo image stabilization function
6. 12~28V power input

## Dimensions



## Parameters

<b>MODEL</b>		SI2
<b>System specification</b>	<b>System type</b>	Gyro stability
	<b>Weight</b>	330g
<b>Stable system</b>	<b>Platform type</b>	Two axle
	<b>Azimuth</b>	-110°~+110°
	<b>pitch</b>	-100°~+30°
	<b>Maximum search angular velocity</b>	≥100°/s
	<b>Stability accuracy</b>	0.1mrad(1°/2HZ)
	<b>Angular position accuracy</b>	≤0.3°
<b>Visible light camera 1</b>	<b>Resolution and frame rate</b>	1920×1080 @60fps
	<b>BIG FOV</b>	19.7°×11.2° (16mm)
<b>Visible light camera 2</b>	<b>Resolution and frame rate</b>	1920×1080 @60fps
	<b>SMALL FOV</b>	6.4°×3.6° (50mm)
<b>Tracking module</b>	<b>Tracking speed</b>	≥40/s
<b>System external interface</b>	<b>Control</b>	RS232
	<b>Video output</b>	NET
<b>Power supply</b>	<b>Power</b>	12~28V
	<b>Power consumption</b>	Av≤10W, Max≤20W
<b>Environmental conditions</b>	<b>Operating temperature</b>	-40℃~+60℃
	<b>Storage temperature</b>	-40℃~+60℃
	<b>Shock resistance</b>	≥400g